



www.kdtsys.com
www.cimon.biz



CIMON - PLC S

PROGRAMMABLE LOGIC CONTROLLER

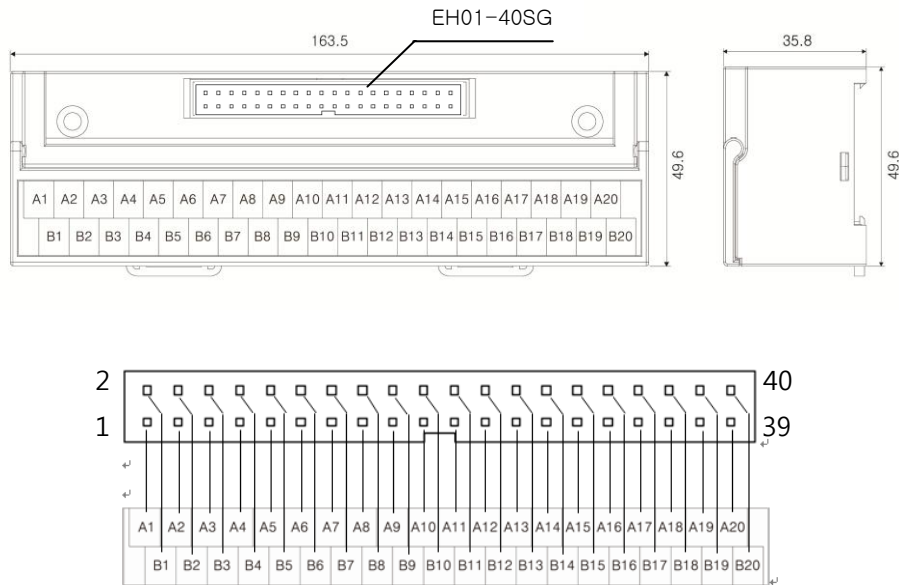
CM0-TB32M

PLC-S Series



KDT
SYSTEMS

Terminal Dimension & Wiring

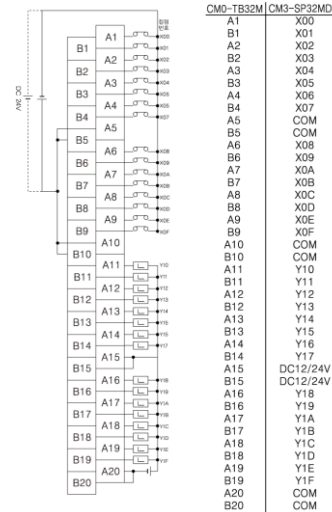


Specification

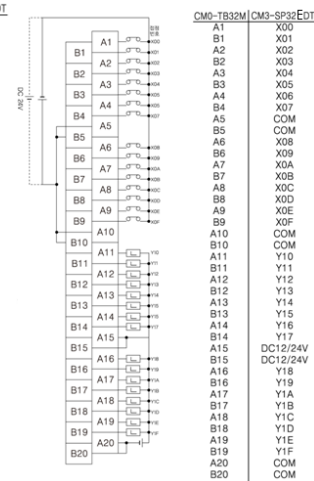
RATED VOLTAGE	: 250 V
RATED CURRENT	: 10 A
WITHSTAND VOLTAGE	: AC 2000 V/1 MIN.
RATED INSULATION VOLTAGE	: DC 500 V/500 MΩ
WIRE CROSS SECTION	: MAX 2.0 mm ² / AWG 12

Wiring for CM3-SP32MDT/MDC/EDT/EDO/EOT/EOC

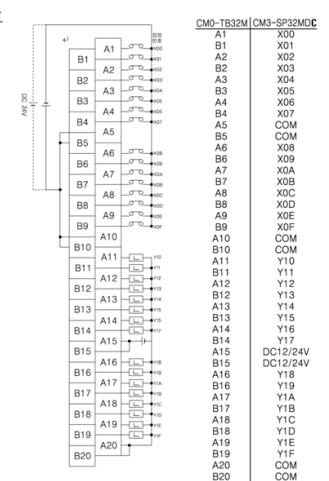
SP32MDT



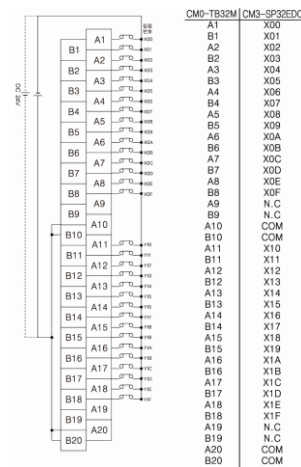
SP32EDT



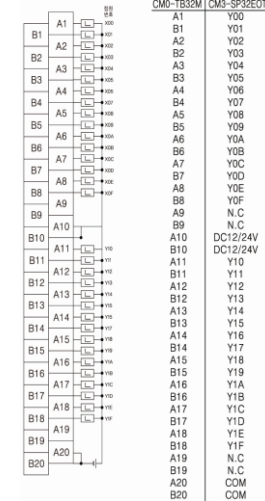
SP32MDC



SP32EDO



SP32EOT



SP32EOC

